



Automotive Equipment

5500C - 4500C

EN Electrohydraulic underwheel scissors type lift



5500 4500



Electrohydraulic underwheel scissors type lift

C-Line *Lifting Equipment*

Tyre Changers | Wheel Balancers | Wheel Aligners | Lifts | Miscellany

TECO 5500C - 4500C

Automotive Equipment

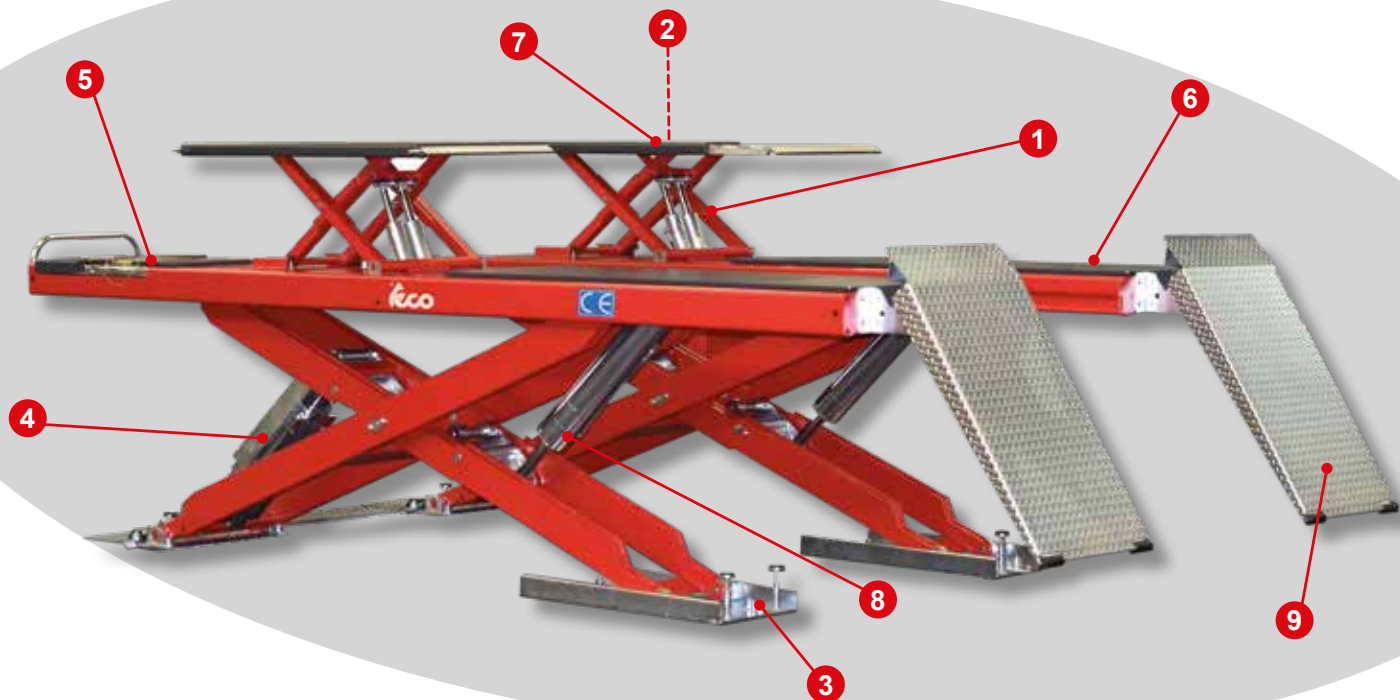
Electrohydraulic underwheel scissors type lift for total wheel alignment "CT" with:
- rear oscillating platforms and recesses for front turntables.

Auxiliary wheel release lift "LT".

Versions available:

TECO 5500C - TECO 5500 CT - TECO 5500 CT LT

TECO 4500C - TECO 4500 CT - TECO 4500 CT LT



LIFT TABLE WITH DOUBLE LIFTING CYLINDER

Lift table with double lifting cylinder to ensure a constant parallel lift movement.



CONTROL UNIT

Control unit with few essential keys and clear and intuitive functional icons.



ADJUST THE BASE FRAME

The wheel alignment versions of the range already include the possibility of adjust the base frame.



ADJUSTABLE MECHANICAL SAFETY DEVICE

Adjustable mechanical safety device, also for exact adjustment for wheel alignment.



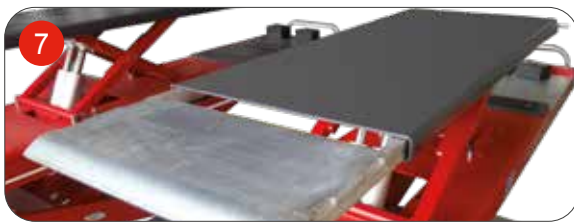
TURNTABLE

Adjustable recess for the **turntable**.



SLIDING PLATES

Sliding plates with air central locking.



LIFT TABLE WITH DOUBLE EXTENSIONS

Lift table with double lifting cylinder and double extensions, in front and rear, which is very flexible, no movement of vehicle on the lift needed.



DOUBLE LIFTING LEVER

Double lifting lever to ensure a constant parallel lift movement.



SHORT RAMPS

Easy drive on with **short and sturdy ramps** due to very low height..

teco 5500C - 4500C

Automotive Equipment

TECHNICAL DATA - TECO 5500C - TECO 5500C CT - TECO 5500C CT LT

Main lift capacity	"LT" capacity	Lifting time	Motor	Main lift max. lifting height	"LT" max. lifting height	Lift minimum height	Runboard length
5500 kg	4000 kg	45 s	400/230V - 3kW 3Ph - 50/60Hz	2010 / 2030 / 2090 mm	411 mm	165 / 185 / 240 mm	4608 / 5208 mm

TECHNICAL DATA - TECO 4500C - TECO 4500C CT - TECO 4500C CT LT

Main lift capacity	"LT" capacity	Lifting time	Motor	Main lift max. lifting height	"LT" max. lifting height	Lift minimum height	Runboard length
4500 kg	4000 kg	45 s	400/230V - 3kW 3Ph - 50/60Hz	2010 / 2030 / 2090 mm	411 mm	165 / 185 / 240 mm	4208 mm

STANDARD ACCESSORIES

All models supplied with: ● Automatic runway levelling system with master/slave hydraulic circuit. ● Self-lubricating bushings on all rotating parts. ● Set of 4 rubber pads.

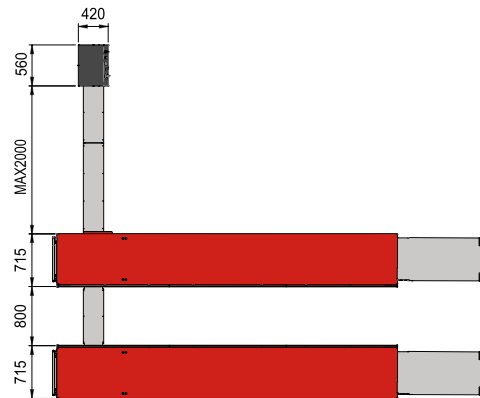
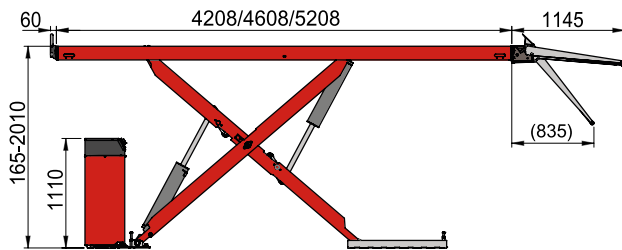
OPTIONAL ACCESSORIES

- Pair of cross pieces and pads for off-road vehicles.
- Kit for flush installations.

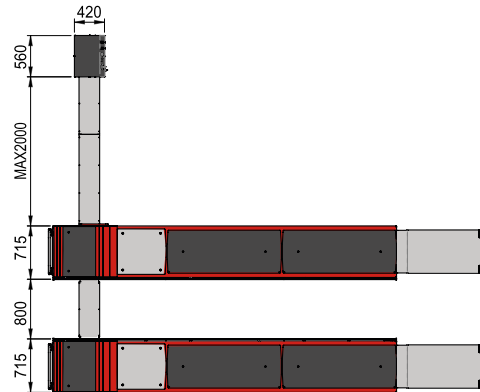
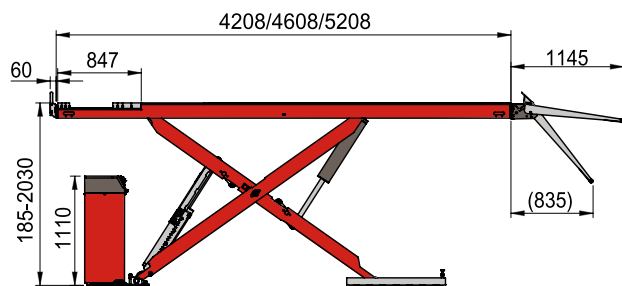
For other optional accessories, refer to separate catalogue

DIMENSIONS

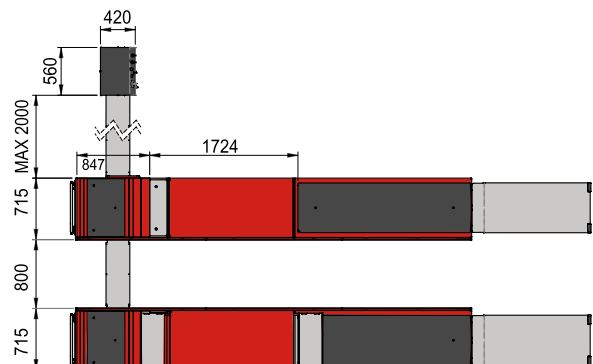
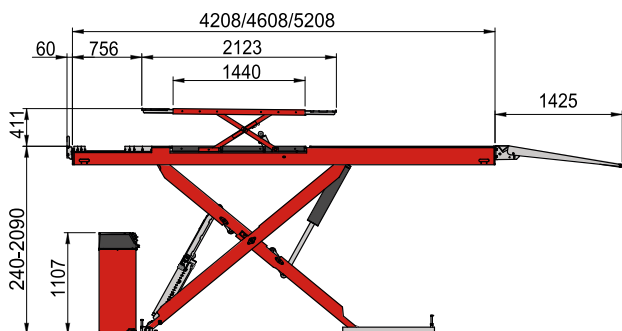
Teco 5500C - Teco 4500C



Teco 5500C CT - Teco 4500C CT



Teco 5500C CT LT - Teco 4500C CT LT



Photographs, features and technical data are not binding, they are subject to change without notice - Cod. DPTC000306B_Ed. 06_2023