



Automotive Equipment

EVEREST

no-contact

EN Super Automatic Tyre Changer



Super Automatic tyre changer with LEVERLESS / CONTACTLESS technology
Another technological step forward for an innovative 28 "tire changer



New automatic tyre changer, “**lever-less**” working technology for car, SUV and commercial vehicle wheels of up to 28”.

✓ Mounting and demounting tool whereby the rim is **never touched** and the stress on the tyre is reduced.

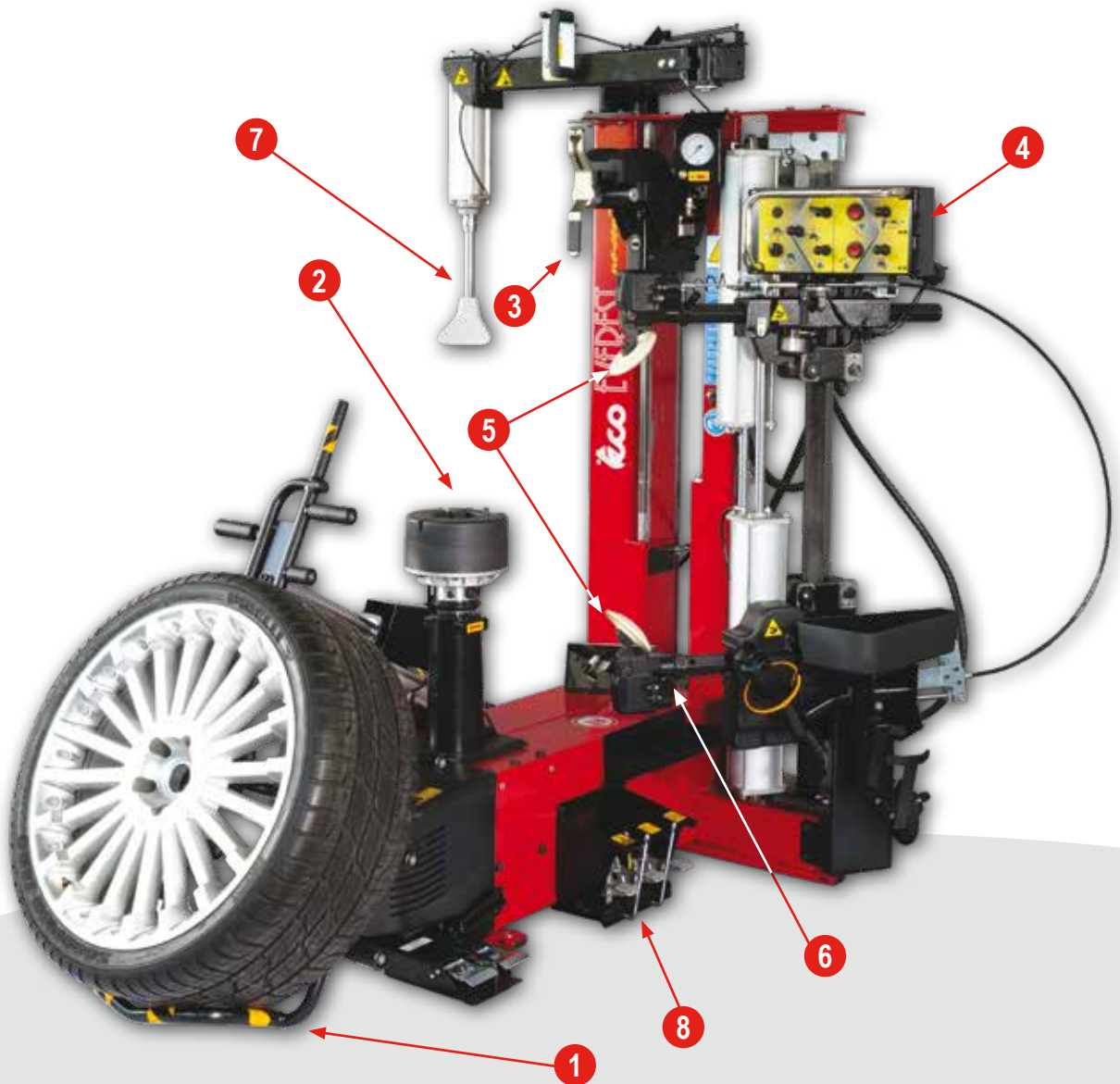
✓ Tool with manual rotation to **speed up work operations**.

✓ **Technical features:**

- wheel lifter for uplifting the wheel from the ground to working position and vice versa, bead breaking performed with **two specular bead breaker discs** with controlled penetration control, automatic wheel clamping with effective, fast and simple pneumatic system.

- multifunctional control panel providing high comfort and convenience of use, **combined with effective performance**.

All this translates into **greater operating speed**, risk-free for the operator and the rim, even during the most demanding work phases, ease of use and universality of wheel types. This all means that the equipment can be used to its **full working potential**.



1	“Zero fatigue” wheel lifter	5	Bead breaker unit
2	Automatic-pneumatic self centering	6	Emergency hook for mounting first bead
3	New mounting and demounting tool	7	Bead pressing tool
4	Console	8	Pedal unit

1 "ZERO EFFORT" WHEEL LIFTER

Front lifter with full upwards and downwards movement.

It allows the operator to move the wheel on the tyre changer **without any effort** and **without changing working position**.



2 AUTOMATIC - PNEUMATIC CLAMPING SYSTEM

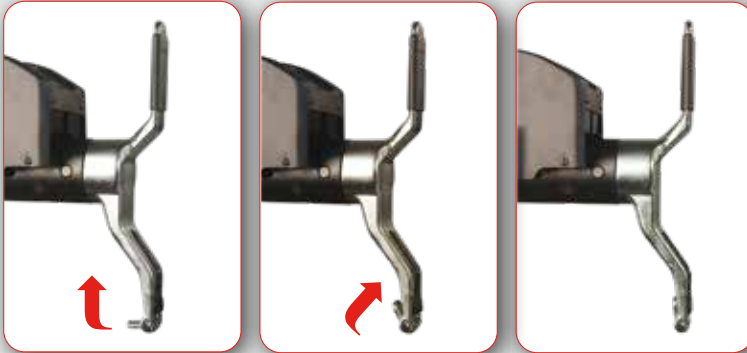
New wheel-clamping system for quick operation and flexible with all wheel types.

The pedal - when pressed - **releases the clamping system turntable centring handle**. In the rest position, the clamping system of the turntable centring handle is **normally active**.

The pedal is used over the wheel preparation and turntable clamping phase, as well as to release the **wheel once the operation has been completed**.



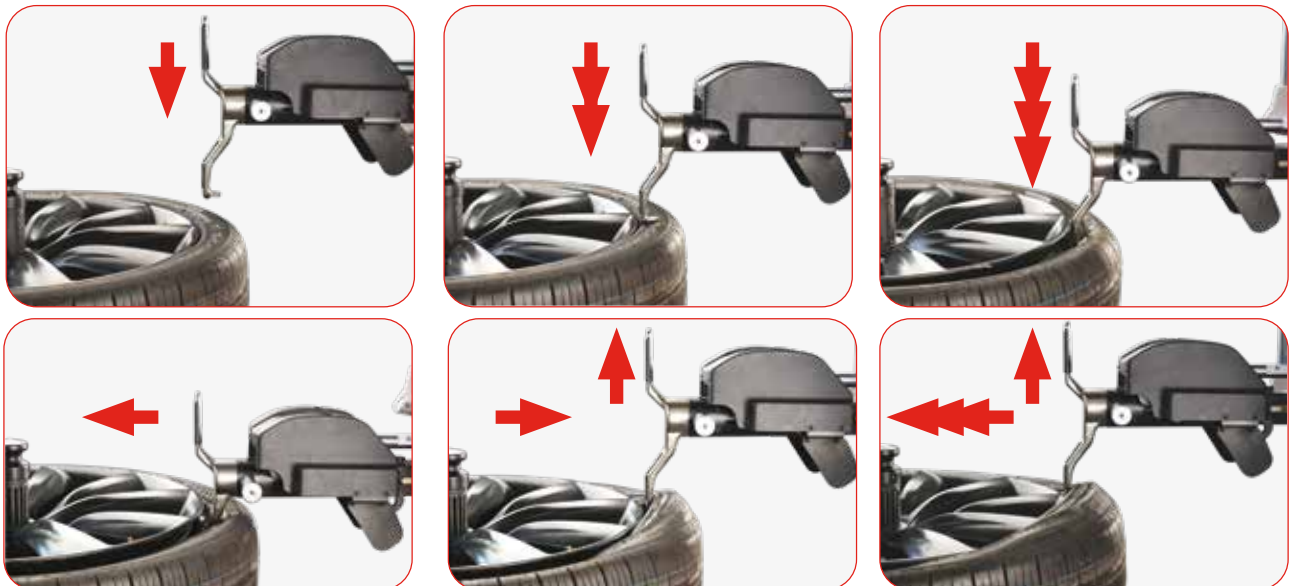
3 NEW MOUNTING AND DEMOUNTING TOOL



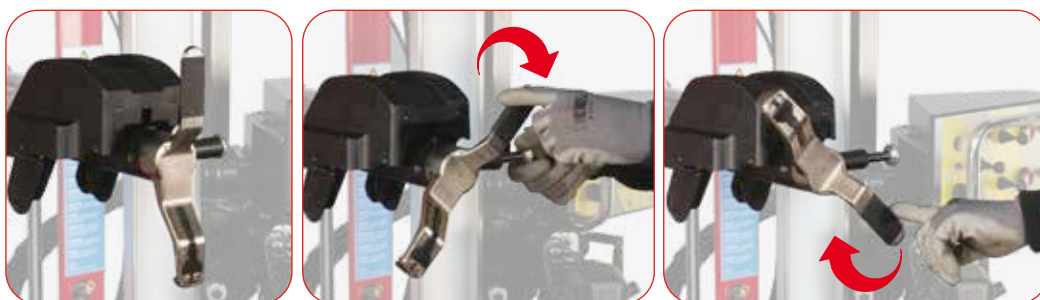
The radial positioning of this innovative tool is carried out by using the controls on the panel.

Tool with manual rotation to speed up work operations. By performing the rotation, the tool will remain automatically in the **correct radial position over the two phases**. The part used for disassembling is equipped with a **patented spring system** to facilitate the entry of the bead breaker disc between rim without any risk for the tyre itself.

DEMOUNTING



MANUAL ROTATION OF THE TOOL



Allows the operator to switch between demounting and mounting mode **quickly and easily**.

LOWER BEAD DEMOUNT OPERATION WITH THE ASSISTANCE OF THE LOWER BEAD BREAKER DISC



Quick demounting procedure with bead breaker disc. Quick procedure for demounting the lower bead (particularly suitable for hard sides).

4 CONTROLE PANEL



Complete and intuitive

Multifunctional control panel contains all the operating controls.

5 BEAD BREAKING UNIT

Dynamic bead breaking device with dual specular bead breaker disc. The radial positioning of the discs is made easier through an automation device preventing the operator from **wrong manual positioning**.

Controlled penetration (Patent Pending):

- ✓precision
- ✓speed
- ✓repeatability

are guaranteed by the patented bead-breaking system and perfect correspondence between the two discs.

Ideal for dynamic bead breaking and for rim and tyre match mounting, thanks to the two dual control discs.



**DRIVE WITH AN INVERTER MOTOR SYSTEM:
IN THE ROTATION PHASE THE RIGHT TORQUE AT THE RIGHT SPEED**



6 "EMERGENCY HOOK"



The mounting operation is easy and very quick.

It is possible to press downwards with the tool holder arm while moving the turntable at the same time.

If the tyre is soft or with a wide shoulder, a reclining tool can also be used as long as it is positioned on the lower bead breaking disc.

The mounting phase of the second bead is completed by using the **bead breaker disc and the turntable rotation at the same time**, while in case of either lowered tyres or RFT tyres, a bead pressing tool shall be used to ensure that the tyre remains on the rim channel.



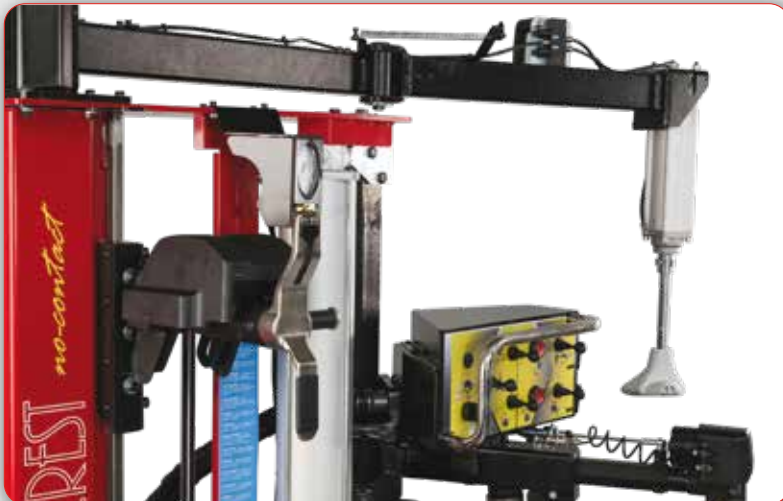
For more awkward tyres, it is always important to lubricate (as for all wheels) and use the bead pressing tool.

On the last phase, make sure you slightly raise the position of the disc and the bead pressing tool to reduce tension and facilitate assembly.



7 BEAD PRESSING TOOL - Run flat no problem!

- ✓ Bead pressing tool with adjustable working height
- ✓ Depressor shape ideal for RFT tyres
- ✓ Standard supplied in all versions
- ✓ Return to the working position is made easier with a spring system



ERGONOMICS

Working height of the machine designed to obtain **perfect ergonomics** in movements with all types of wheels.

Ideal for all operators!



STANDARD EQUIPMENT





EVEREST *no-contact*

Automotive Equipment

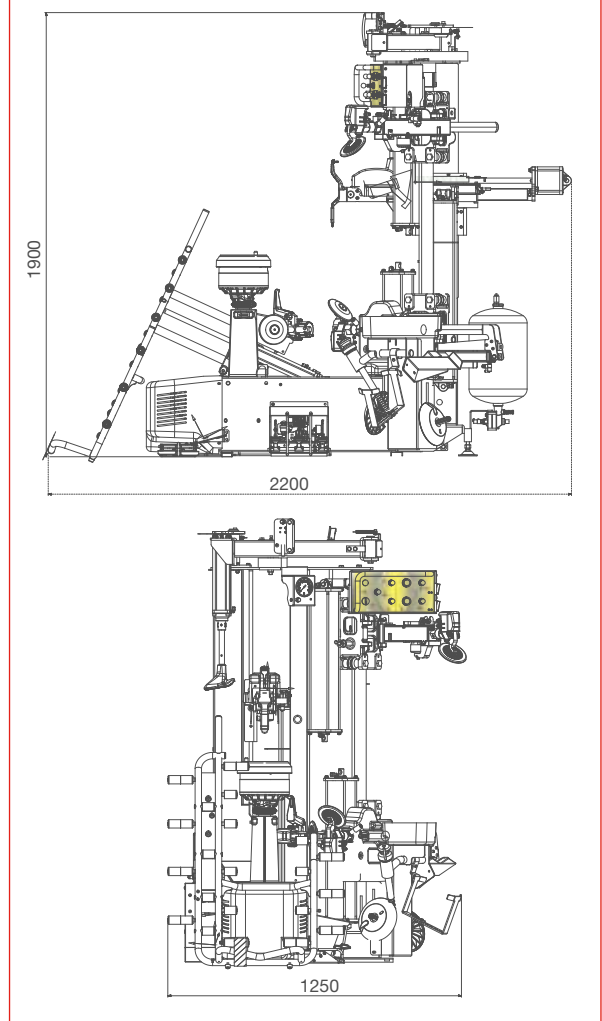


Super Automatic Tyre Changer

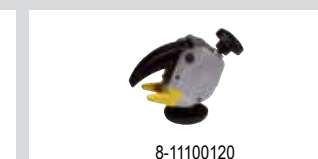
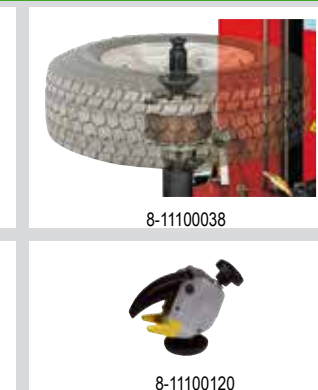
TECHNICAL DATA

WHEEL SIZE RANGE	
RIM DIAMETER	from 13" to 28"
MAX. TYRE DIAMETER	1200 mm
MAX. TYRE WIDTH	15" (from the wheel supporting base))
TYRE TYPES PROCESSED	conventional, low profile and Run Flat
SELF-CENTERING PLATE	
CLAMPING	automatic - pneumatic
DRIVE SYSTEM	2 speed - inverter motor
ROTATION TORQUE	1100 Nm
ROTATION SPEED	7 - 18 rpm
BEAD BRAKER	
MAXIMUM BEAD-BREAKING RANGE	670 mm
BEAD BREAKER STROKE	540 mm
BEAD BREAKER FORCE	7600 N
WHEEL LOADING/UNLOADING	
OPERATION	pneumatico
MAX WHEEL WEIGHT	85 Kg
POWER SUPPLY	
ELECTRIC 1Ph	230V - 0,75 kW - 50/60Hz
ELECTRIC 1Ph (ALTERNATIVE)	110V - 0,75 kW - 50/60Hz
PNEUMATIC OPERATING PRESSURE	8 bar (minimum)
WEIGHT	425 Kg (with bead pressing tool and lifter)

OVERALL DIMENSIONS



RECOMMENDED ACCESSORIES



- 8-11120053 – Kit T.I., rapid inflation system
- 8-11120054 – Kit T.I., ASME rapid inflation system (x USA-Canada)
- 8-11100039 – Flange for reverse rim wheels
- 8-11100038 – Universal flange for closed rims
- 8-11100037 – Pick-up rim kit
- 8-11100120 – Sliding bead pressing clamp

OPTIONAL For further information, consult the complete accessories catalogue.

The manufacturer reserves the right to modify the features of its products at any time.

Cod. DPTC000296_Ed. 05/2021



NEXION SPA - ITALY -
www.tecoautomotive.com - tecco@teco.it



Watch the video

