

# teco 920

Automotive Equipment

 Wheel  
Aligner

**ELECTRONIC WHEEL ALIGNER USED BY  
PROFESSIONALS IN THE SECTOR**



**Lift level automatic tracking  
function (optional)**

**High quality** components and  
modern design

**User friendly software** for  
precise and quick alignment  
measurements

**0.01°** data display

**Intuitive 2-key** operation with  
**easily accessible** tutor help

**Easy** access to all adjustment  
values

**10" to 26"** sensor holder (with  
adaptor)



**New Teco920 3D wheel aligner with 2-camera reading  
system**



## 1 LIGHT-DUTY AND HIGH-RESOLUTION TARGET

It can be detached from the bracket and is compatible with all Teco brackets. Front infra-red filter for a high immunity to sunlight reflections.

## 2 PRATICAL TROLLEY

for clamp and sensor holder (optional).

## 3 SUPERIOR QUALITY CAMERA

**Latest generation high-resolution HI-Q camera** for artificial vision. **Operating Light Indications** thanks to the integrated synoptic panel. **Measurement in difference.** Each acquisition is differentially processed by 2 consecutive images to eliminate measurement problems in critical sunlight conditions or in the presence of light reflections.



## 4 10" TO 26" CLAMPS



## CLAMPONTYRE

Compatibility with ClampOnTyre quick clamps: **no contact with the rim, innovative design** for fast and **reliable clamping**. (\*)



(\*): to use the ClampOnTyre clamps, the SMART-ROC optimised runout kit must be installed.



## 5 MAIN UNIT

complete with PC holder and platform for keyboard and printer.



## 6 LIFT DRIVE-ON ASSISTANT

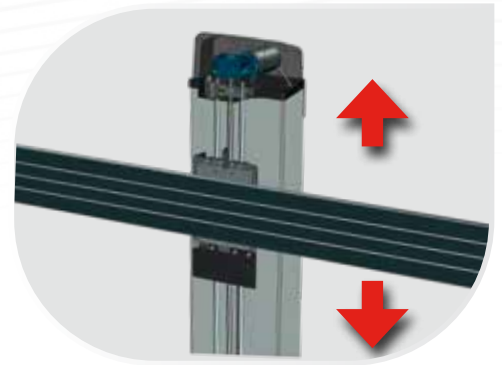
by remote camera for easy vehicle positioning (optional).

### NEW INTEGRATED LIFT WITH WORMGEAR AND SAFETY SYSTEM (PATENT PENDING)

Camera movement kit allows the operator to work from pit level to over 2.00 meters by pressing a key on the keyboard.

Fast and easy.

**Lift level automatic tracking function** (optional) with **integrated safety mechanism** (patent pending).



### SOFTWARE

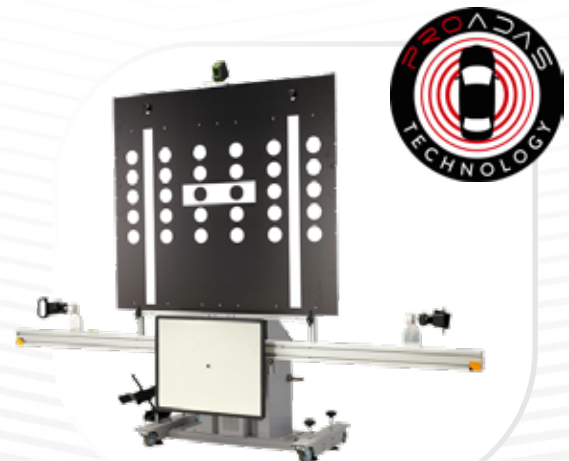
- Multilanguage **Windows 10 IoT operating system**
- User friendly** procedure
- A first class **international database with over 84,000 vehicles**
- Live **graphic indications**
- User databank** for insert or modification vehicle data
- Chassis** measurement data
- Factory-calibrated**, calibration checked only upon installation, **no periodic calibrations required**
- Databank on **HD**
- Job operation **customer data bank**, to recall and **memorize all customer data**

### WHEEL ALIGNER COMPATIBLE WITH PROADAS

The wheel aligner is compatible with the new PROADAS universal system used for the **calibration of driver assistance systems** on new-generation vehicles.

Using the wheel aligner cameras, the system for calibrating the camera and radar on board the vehicle **can be aligned precisely and quickly**.

Manufacturers recommend calibrating ADAS systems after aligning the vehicle. For further information, visit the PROADAS product sections on our website.



## Wheel Aligner

### RECOMMENDED ACCESSORIES



x4

**8-34100020**  
Self-centring 10-21" brackets



x4

**8-34100021**  
26" extender kit for brackets



x2

x2

**8-34900019**  
Turntables with pad



**8-34900011\_CU820**  
Carrying case with kit for calibration and calibration check



**8-34900079**  
A4 Inkjet Printer

For further information, consult the complete accessories catalogue

### STANDARD ACCESSORIES



**STEERING LOCK, BRAKE PEDAL LOCK AND SUPPORT**

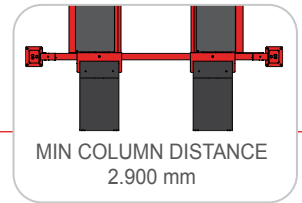


TRG 920

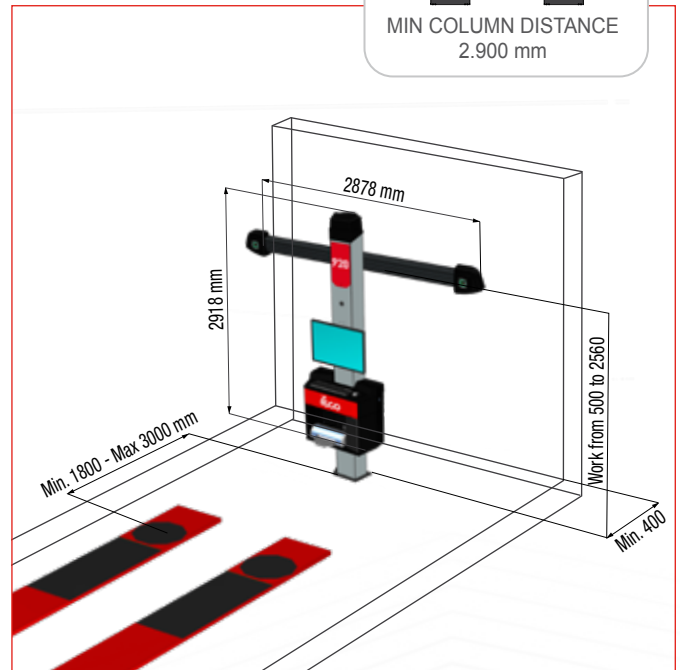


\***PERSONAL COMPUTER**  
For Full Pack versions only

### 4-POST LIFT COMPATIBILITY



### DIMENSIONS



### TECHNICAL DATA

#### MEASURING RANGES

Total toe	± 20°
Half toe	± 10°
Camber	± 10°
Caster	± 30°
King pin	± 30°
Set back	± 22°
Thrust angle	± 10°
Steering difference	± 20°

#### POWER SUPPLY

Power supply voltage	115/230 Vac - 50/60 Hz - 1 Ph
Power absorption	500 W
PC holder	11 kg
Camera beam	26 kg
Column	66 kg
Camera resolution	2592 x 1944 10,000,000 Pixel

The manufacturer reserves the right to modify the features of its products at any time.

Cod. DPTC000475A\_01\_2024