



SUBJECT: 3.5 ton low-rise single-scissor lift **TECO C350 B**

We are glad to inform you that, starting from January 2025, the new single-scissor 3.5 ton lift **TECO C350 B** is available for sale.

This version will replace the current ones with 3.2 and 3.6 ton capacity: TECO C320 B - TECO C360 B.



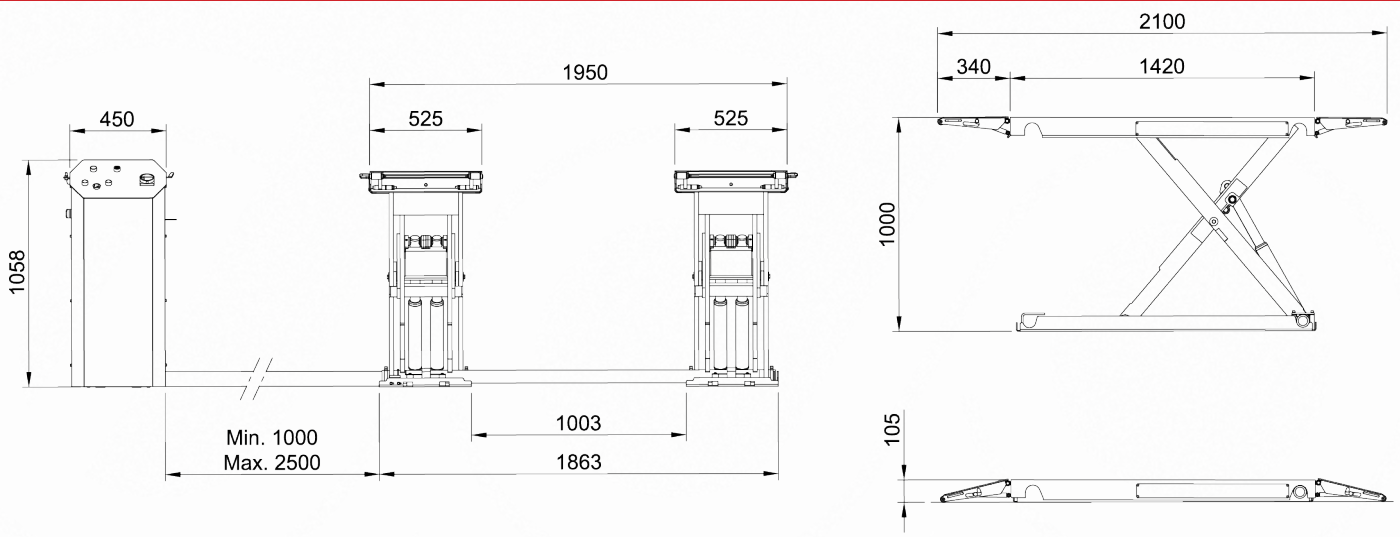
Please find below the list of the main characteristics of the new lift model:

- Minimum height 105 mm (current versions: 120 mm)
- Start-up lever for full capacity from zero position
- Mechanical synchronisation through robust cross bars
- Manually openable emergency lowering valves
- Redundant hydraulic circuit that does not require the presence of compressed air and mechanical safety devices, allowing direct descent
- Automatic safety descent / CE stop
- Hot dip galvanized base, as standard
- Runways and flaps made of almond-pattern anti-slip plates
- Painted runways, flaps and scissors

- Enhanced low-voltage control unit, inside movable and closed panel
- Great versatility of use, thanks to the kit on carriage, available as optional, which includes wheels + manual lever for lift movement
- In movable mode, the lift must not be secured to the ground and can be used as additional work area
- When secured to the ground, load distribution is according to EN1493
- 40mm rubber pads included



Dimensions



Technical data

Lift capacity	3500 kg
Maximum lifting height	895 mm
Minimum lifting height	105 mm
Working height	1000 mm + rubber blocks
Lifting/lowering time	16 s
Hydraulic unit	2.2 kW
Voltage	230/400V - 3Ph - 50/60Hz

The brochure of the new **TECO C350 B** lift is already available on our web page [TECO](#).

